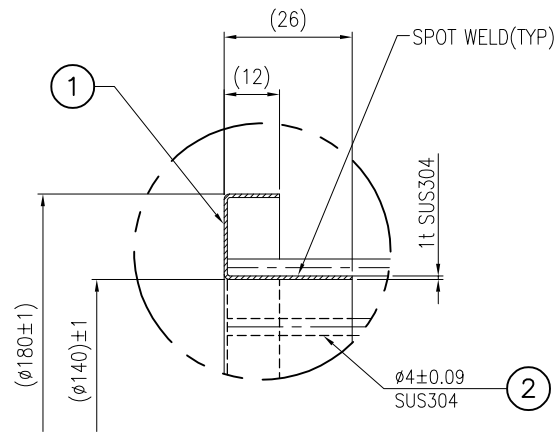
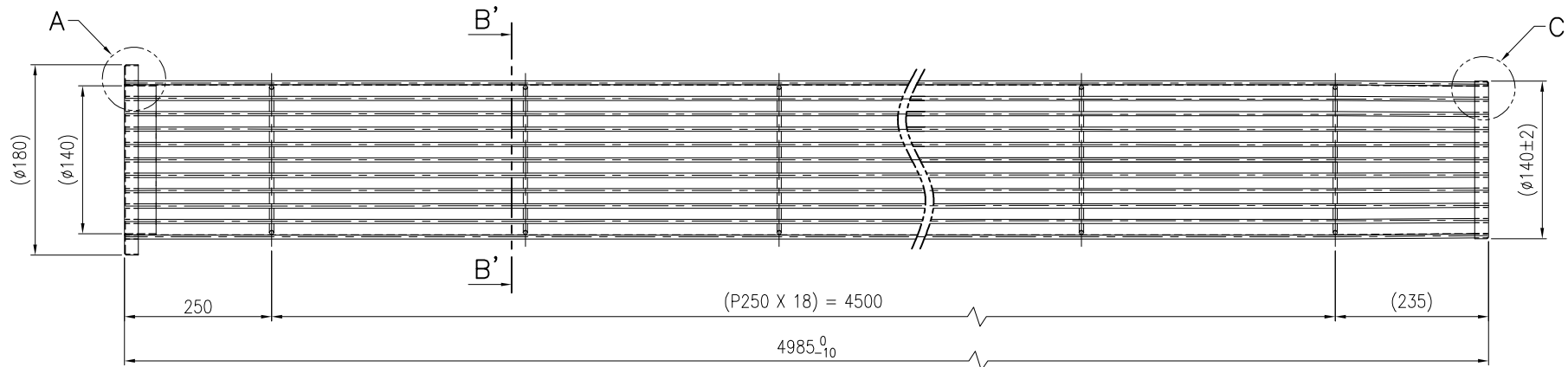
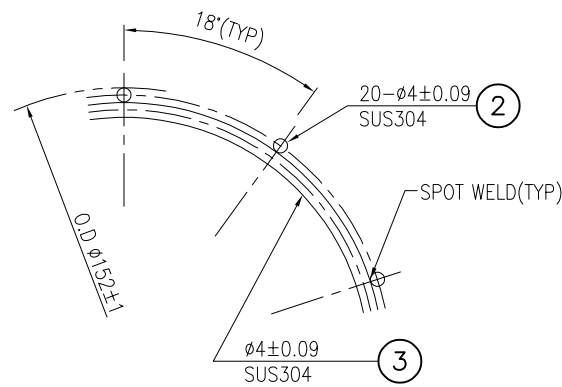


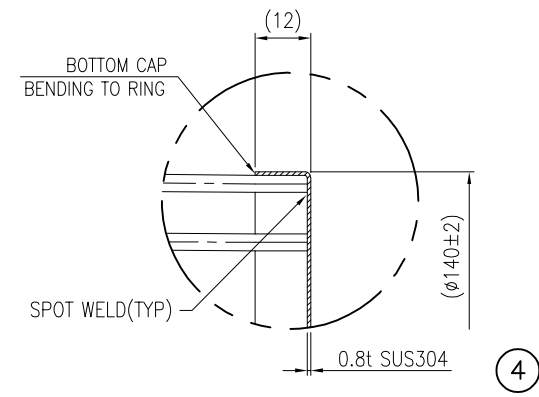
NO.	DESCRIPTION	MAT'(KS)	QUANTITY		WEIGHT(kg)		REMARK'S
			UNIT	TOTAL	PER UNIT	TOTAL	
	BAG CAGE SIZE	Ø152 x 4,985L					
1	TOP CAP	SUS304	EA	1			
2	VERT WIRE	SUS304	EA	20			
3	RING	SUS304	EA	19			
4	BOTTOM CAP	SUS304	EA	1			



DETAIL-A



SECTION B-B



DETAIL-C

- NOTE -

1. ALL WIRE-CONNECTION POINT IS SPOT WELDING.
2. () IN DIMENSION IS REFERENCE ONLY

NO	DESCRIPTION	MATREIAL	Q'TY	DIMENSION	REMARKS
DWG'BY	CHE'D BY	APP'D BY	DATE	SCALE	PROJ.
KU.W	-	KU.W	18.05	1/6	-
				UNIT(mm)	TITLE: BAG CAGE
				DWG. NO.	Ø152 x 4985

No.	Date	Revisions & Description	Drawn	Checked	Reviewed	Approved
△	18.05.	FOR APPROVAL	KU.W	KU.W	-	KU.W

(주)에이에프티